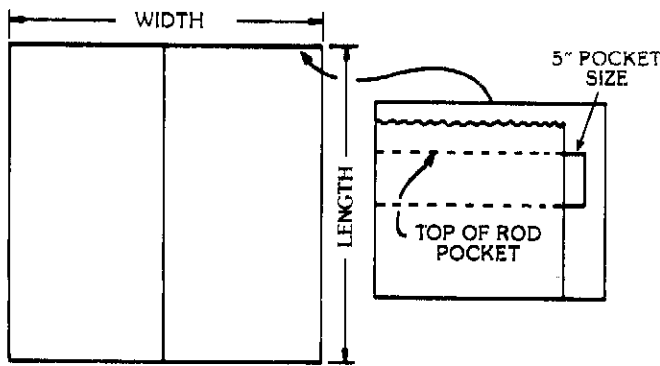


HOW TO INSTALL 4 1/2" WIDE CURTAIN RODS

Form No. 6603BL-2

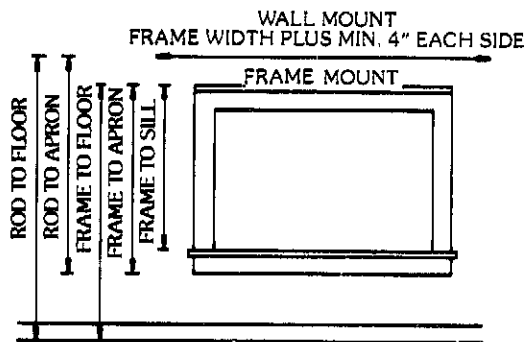


IF YOU ALREADY HAVE CURTAINS

Measure curtain length from the top of the rod pocket to the hem. Measure width of flat panels. Use these measurements to find bracket locations.

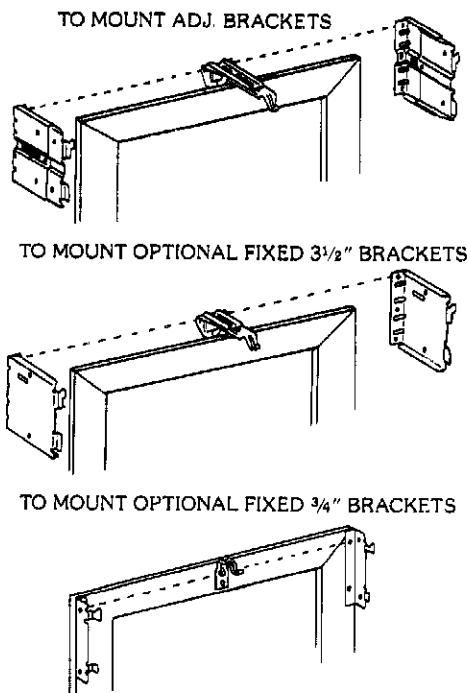
Decide where you want the bottom hem (usually at sill, apron or floor). From that point, measure up the wall using your length figure; mark. Top of brackets will go at this height.

For width, use approximately one-half total curtain width. This can vary—curtains will simply be more or less full when hung. This is the distance between brackets.



IF YOU DO NOT HAVE CURTAINS

Select a rod location illustrated. It may be on the window frame or wall. It may be level with top of the frame or higher. Hang rod before measuring for curtains. Finished curtains should be two to three times rod width.

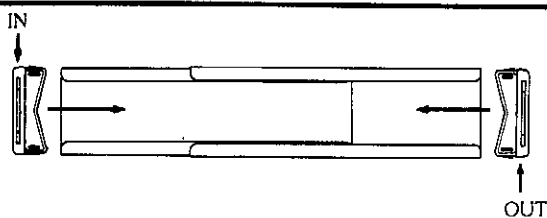


PUT UP BRACKETS AND SUPPORTS

Your rod will be packed with brackets if indicated on the package label. Two sizes of adjustable brackets adjust from either 2 1/2" to 3 1/2" or 4 1/4" to 5 3/4". The latter brackets can also be set at 7 1/2". In addition two sizes of fixed brackets—3/4" and 3 1/2"—can be purchased separately if desired.

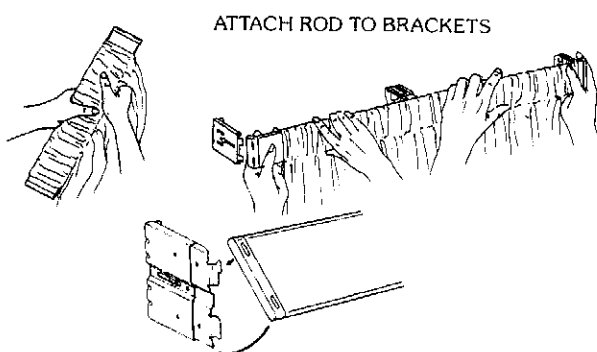
Position brackets according to your measurements. Attach with supplied screws. Use hollow wall anchors if wall studs cannot be found. If extra clearance from the wall is needed, loosen the center screw on bracket, extend bracket and retighten screw. Any supports included, will also need to be adjusted.

If supports are included with rod, attach at equal intervals between brackets.



ATTACH END CAPS

If not supplied assembled, attach end caps. Slip end cap into end of rod. Push until it clicks into position. The cap marked IN goes into the smaller (inside) section of the rod; that marked OUT goes into the larger (outside) section.



PUT UP ROD: READ CAREFULLY

Slip curtains over outside rod section; arrange fabric over both rod sections leaving rod ends bare. Hold rod with curtains vertically so rod won't bend. If your rod is 36" or longer, two people should do the installation.

Hook top rod hole over top bracket prong as shown. Swing rod down and snap over lower prong. Support the rod as you extend it to fit into supports and the bracket at the other end. Arrange curtains evenly.